

# Battery Backup Datasheet



Revision: 20.04  
Date: 2020-04-20



# Contents

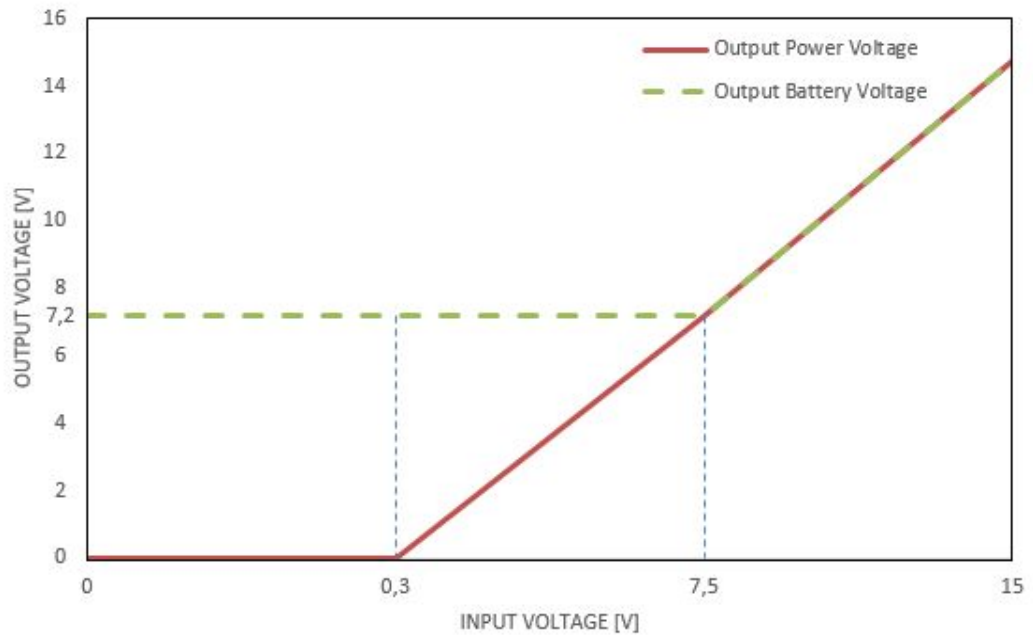
<b>1 Specifications</b>	<b>3</b>
<b>2 Dimensions</b>	<b>4</b>
<b>3 Typical usage</b>	<b>5</b>
<b>4 Typical connections</b>	<b>5</b>
4.1 One UPS	5
4.2 More UPS	6
4.3 Installation for different power supplies	7
<b>5 Setup</b>	<b>8</b>
5.1 Meaning of status LEDs	8
5.1.1 Charging	8
5.1.2 Discharging	8
5.1.3 Battery full	8
5.1.4 Heating	8
5.2 Installing position	9
5.3 Protection fuse	9
<b>6 For your safety</b>	<b>10</b>
6.1 WARNINGS	10
6.2 Transport regulations	11
6.3 Notices	12
<b>7 Contact Us</b>	<b>12</b>

# 1 Specifications

<b>Model</b>	<b>BP-UPS-01</b>
--------------	------------------

Input voltage	10 - 16 V DC
---------------	--------------

Output Voltage



Minimum power supply requirement	15W
----------------------------------	-----

Expected backup time	approximately 12 hour
----------------------	-----------------------

**Local state feedback**

Input power	INPUT POWER is lighting
-------------	-------------------------

Charging	CHARGING is lighting
----------	----------------------

Low temperature	LOW TEMP is lighting
-----------------	----------------------

**Environmental conditions**

Storage temperature	from -20°C to +60°C
---------------------	---------------------

Operation temperature	from -20°C to +60°C
-----------------------	---------------------

Charging range	from 0°C to +45°C
----------------	-------------------

Heating range (Internal heating on)	from -20°C to +5°C
-------------------------------------	--------------------

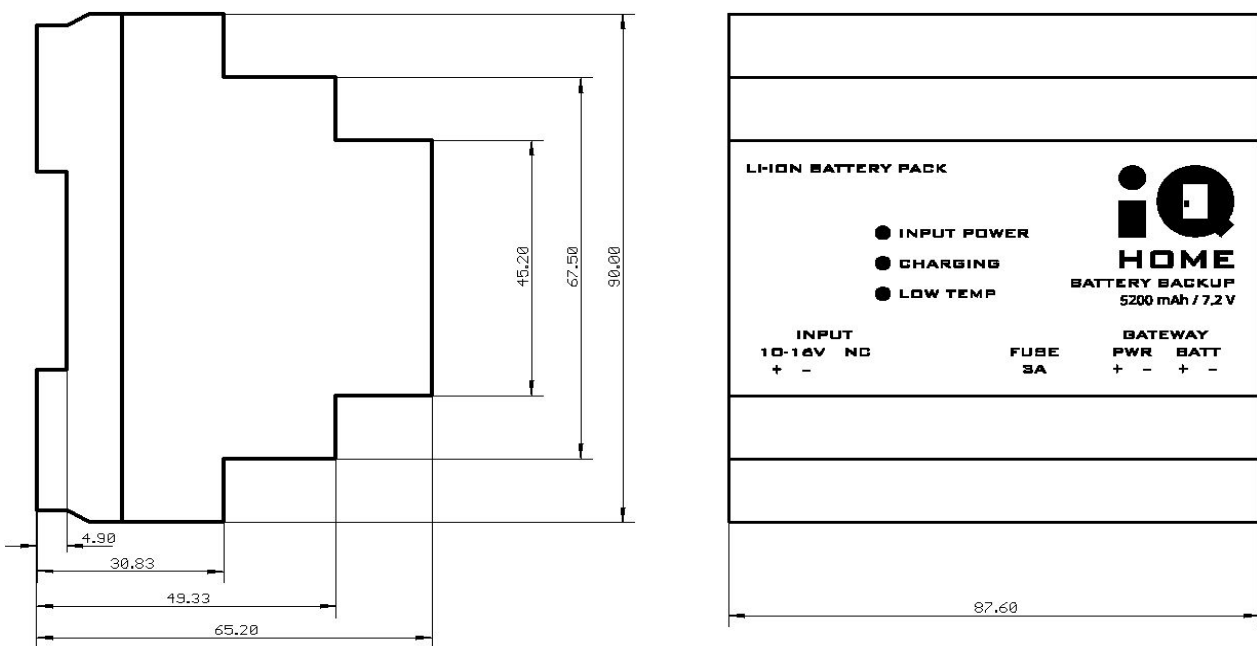
Relative humidity	from 0 % to 85 %
-------------------	------------------

**Mechanical and enclosure specification**

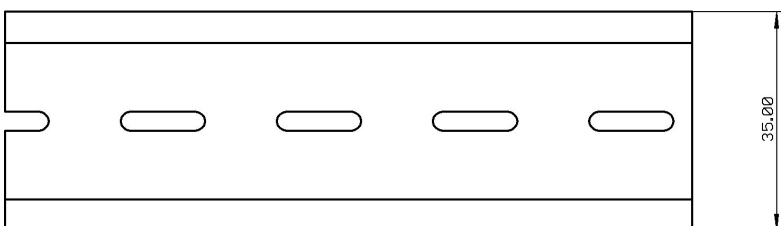
Product dimension (outline)	87,6mm(W) x 90mm(H) x 65,2mm(D)
Mount type	DIN Rail mountable
Enclosure material	ABS
Body colour	Light gray
Product weight	350 g
Enclosure protection level	IP35
Accessories	Jumper cable, Fuse 3A

**All setup should be examined by a qualified technician!**

## 2 Dimensions



(Unit: mm , tolerance  $\pm 0.5$ mm)



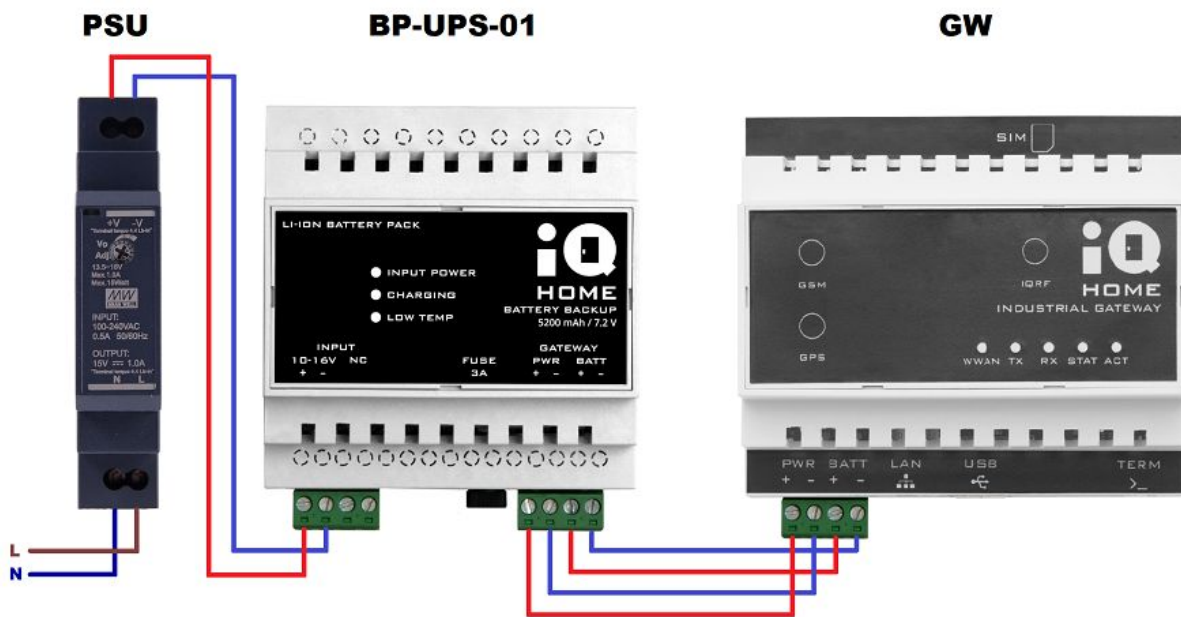
ADMISSIBLE DIN-RAIL: TS35/7.5 OR TS35/15

### 3 Typical usage

- Where electricity is available only during off-peak hours (at night). E.g.: outdoor lighting
- As uninterruptible power supply (UPS)

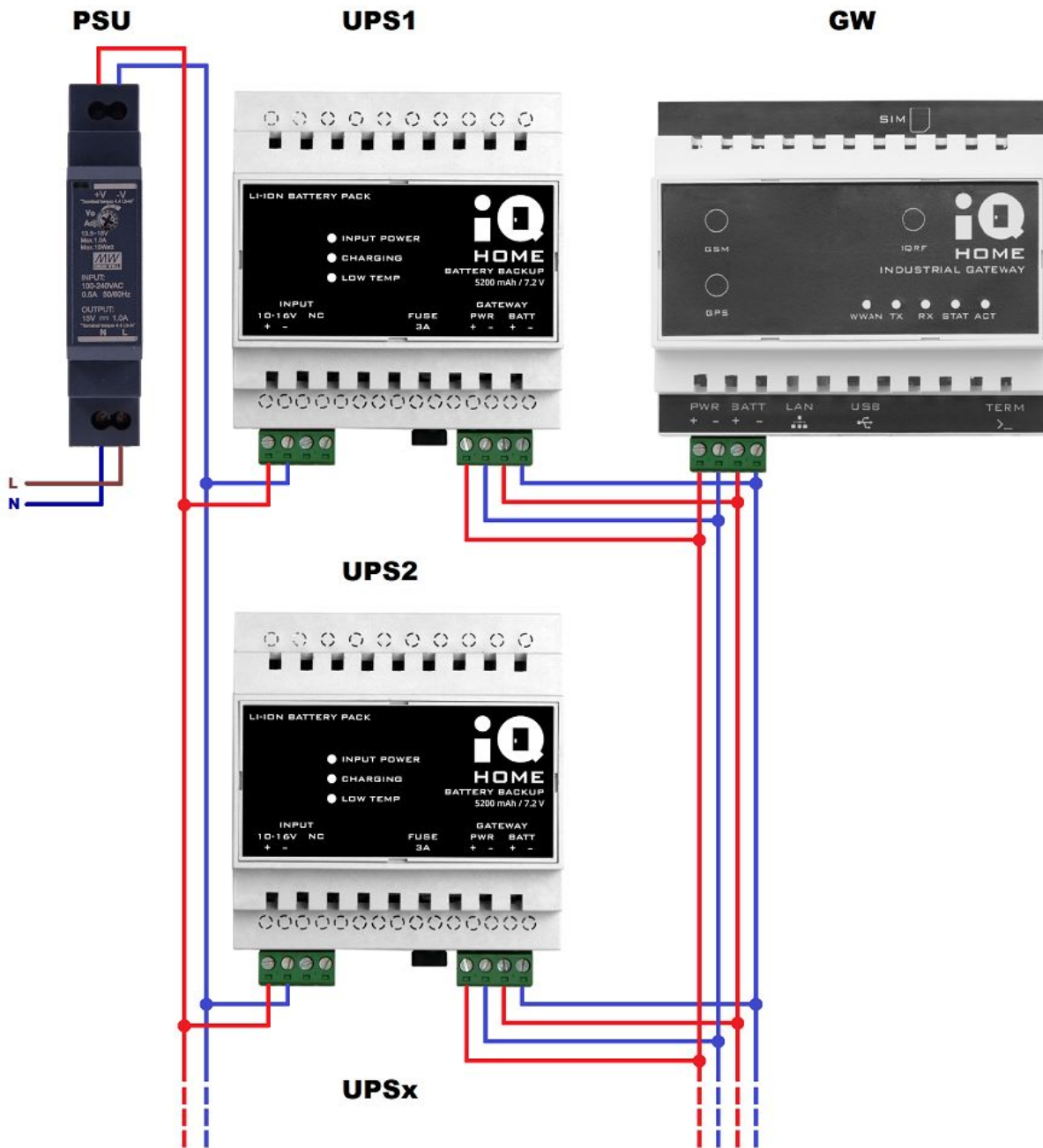
### 4 Typical connections

#### 4.1 One UPS

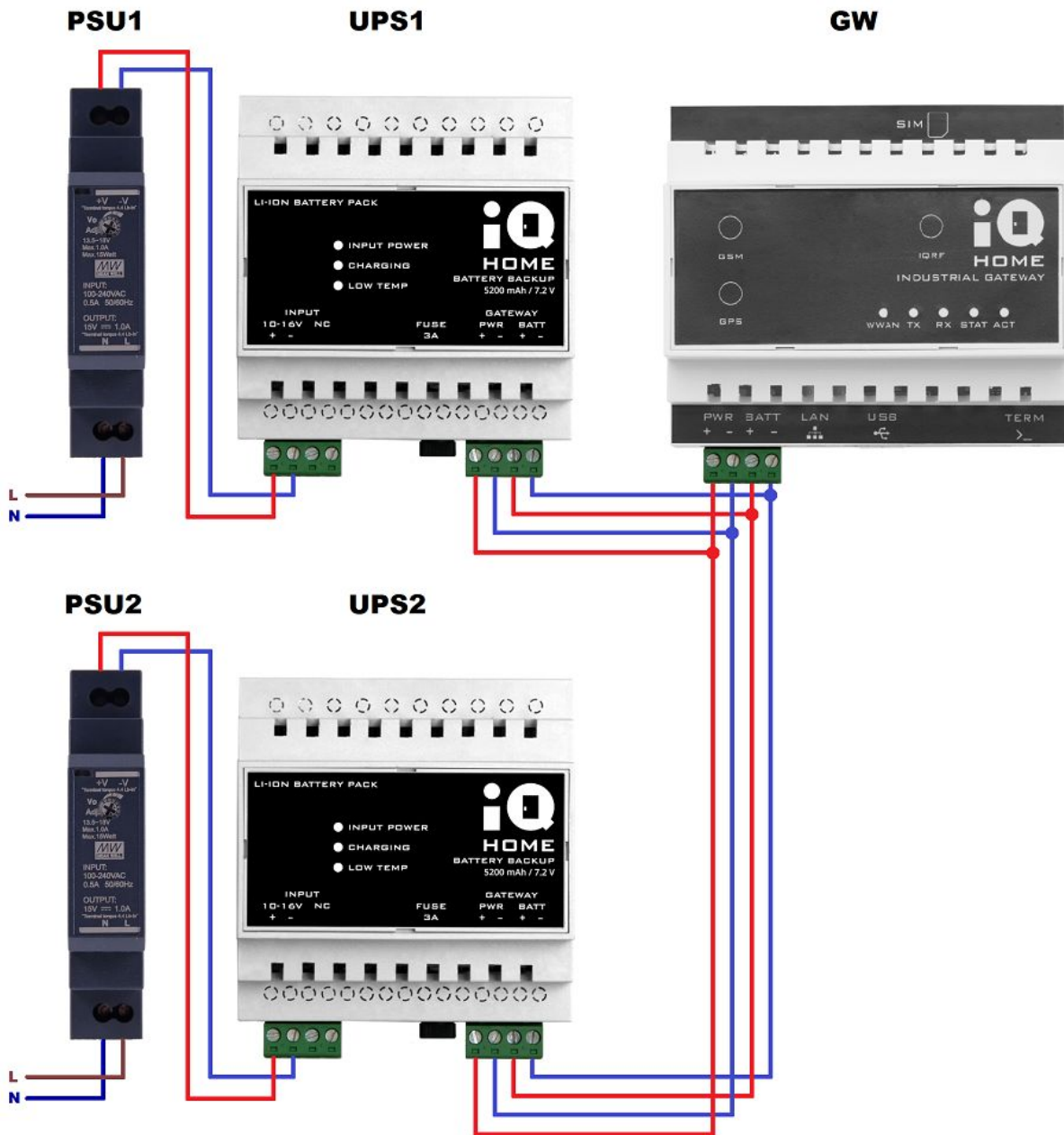


The recommended power supply is MeanWell HDR-15-15.

## 4.2 More than one UPS



### 4.3 Installation for different power supplies



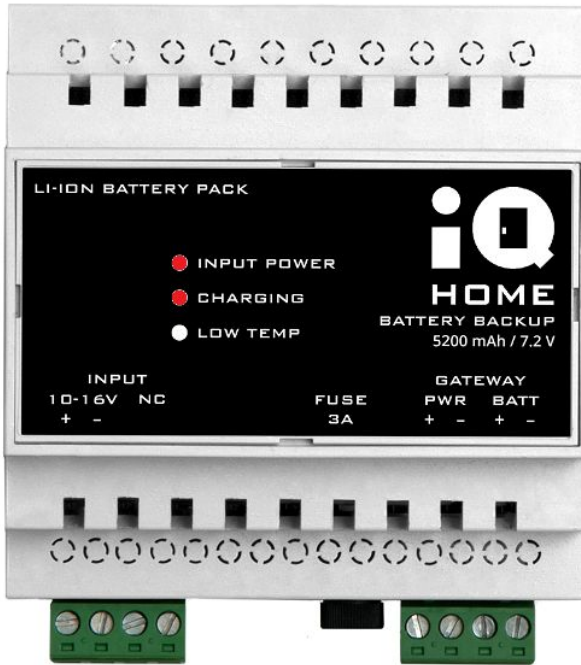
#### CAUTION!

This connection brings the different power supplies to equipotential.

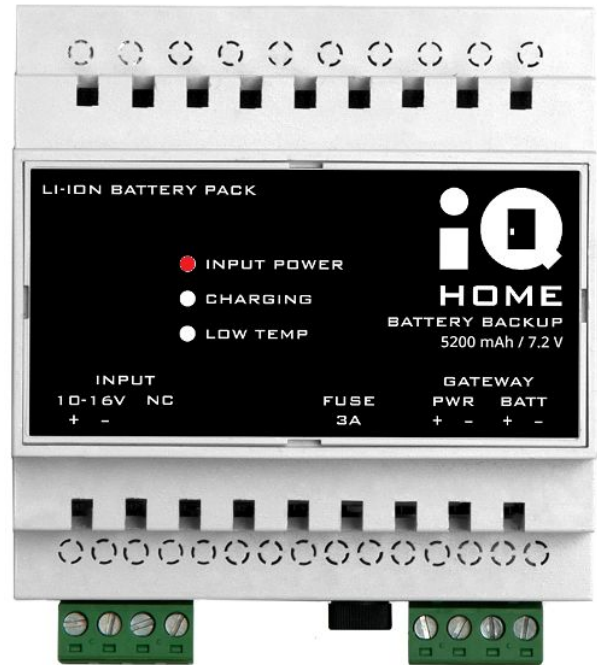
## 5 Setup

### 5.1 Meaning of status LEDs

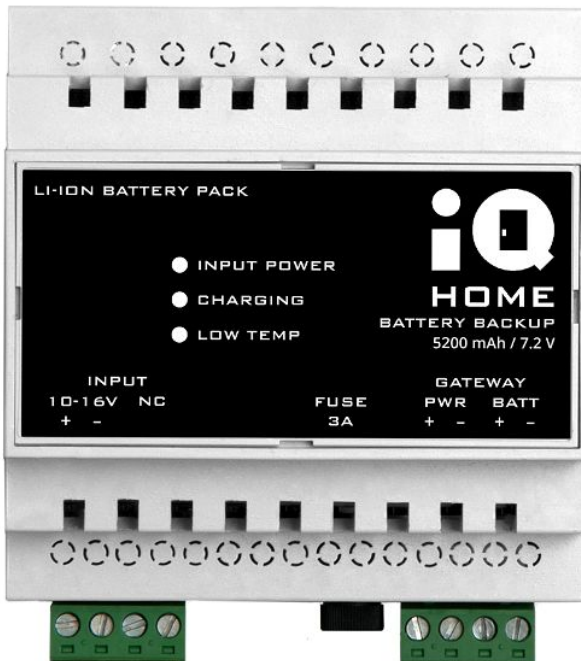
#### 5.1.1 Charging



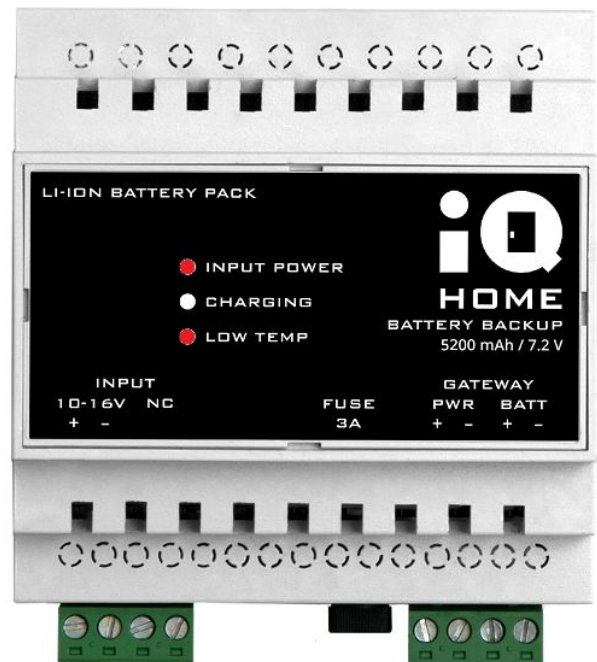
#### 5.1.3 Battery full



#### 5.1.2 Discharging



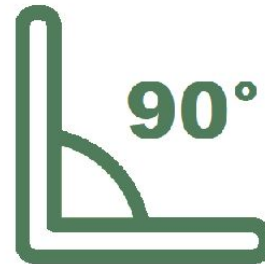
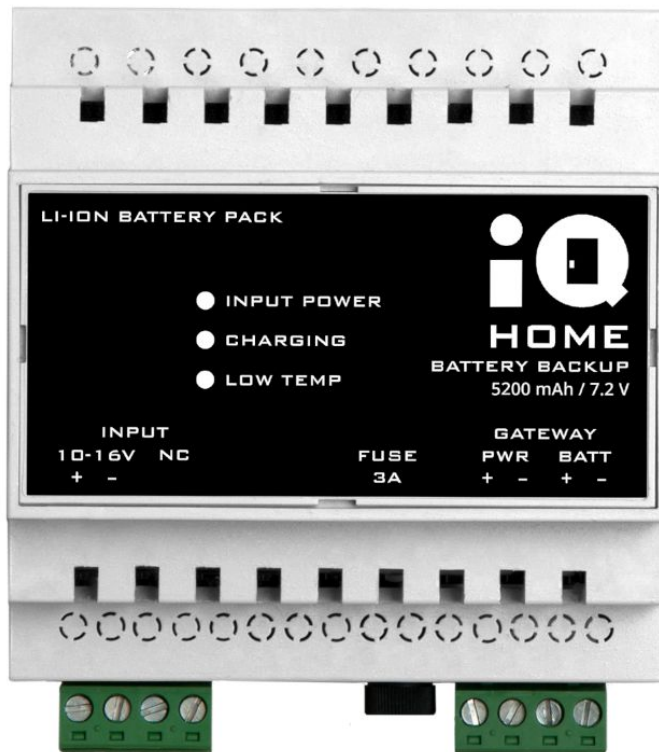
#### 5.1.4 Heating





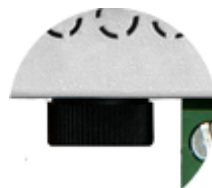
## 5.2 Installing position

- Please note:
  - The device has internal heating, so it must be placed vertically to allow proper airflow.
  - Do not cover the ventilation openings.



## 5.3 Protection fuse

- Functionality: overcurrent protection for the battery



### ATTENTION!

The fuse is packaged separately so it must be inserted into the device before the first using. Its position is shown in the picture above.

## 6 For your safety

To prevent damage to your product or injury to yourself or to others, read the following safety precautions before using this equipment. Keep these safety instructions where all those who use the product will read them.

### 6.1 WARNINGS

- **Do not disassemble the device**
- **Turn off immediately in the event of malfunction**  
Should you notice smoke or an unusual smell coming from the equipment, power off the equipment and remove the battery immediately, taking care to avoid burns. Continued operation could result in injury.
- **Do not use in the presence of flammable gas**  
Do not use electronic equipment in the presence of flammable gas, as this could result in explosion or fire.
- **Do not insert foreign objects to it**
- **Keep out of the reach of children**  
Failure to observe this precaution could result in injury.
- **All setup should be examined by a qualified technician!**  
Risk of electric shock.
- **Observe proper precautions when handling battery pack**  
Battery pack may leak or explode if improperly handled. Observe the following precautions when handling batteries for use in this product:
  - Do not short or disassemble the battery.
  - Be sure the product is not under voltage before replacing the battery.
  - Do not expose the battery to flame or excessive heat.
  - Do not immerse in or expose to water.
  - When the battery pack is not in use, store in a cool, dry place.
  - The battery pack may be hot immediately after use or when the product has been used on battery power for an extended period. Before removing the battery pack turn the input power off and allow the battery to cool.
  - Discontinue use immediately should you notice any changes in the battery pack, such as discoloration or deformation. Failure to observe this precaution could result in injury.

To prevent damage to your product or injury to yourself or to others, read the following safety precautions before using this equipment. Keep these safety instructions where all those who use the product will read them.

## 6.2 Transport regulations

- **The device contains 4 pieces of lithium ion cells.**
  - Battery energy is 37Wh.
  - Total weight is 194g (48.5g per cells).
- **Transport must be carried out in accordance with IATA UN3481-PI967 dangerous goods regulations.**
  - Regulations may change.
- **Please contact the courier service of your choice for terms of delivery.**
  - Other regulations apply to air and road transport.



## 6.3 Notices

- This manual included with the product may not be reproduced, translated to any language or used for any other purpose without IQ Home's written permission.
- IQ Home reserves the right to change specifications described in this manual at any time without prior notice.
- IQ Home will not be held liable for any damages resulting from the use of this product.
- We made as much effort as we could while prepared this manual to make it useful, accurate and complete. If we made mistakes, we appreciate if you contact us and let us know.

This symbol indicates that this product is to be collected separately.



- This product is designated for separate collection at an appropriate collection point. Do not dispose of as household waste.
- For more information, contact the retailer or the local authorities in charge of waste management.

This symbol on the battery indicates that the battery is to be collected separately.



- All batteries whether marked with this symbol or not, are designated for separate collection at an appropriate collection point.
- Do not dispose of as household waste. For more information, contact the retailer or the local authorities in charge of waste management.

## 7 Contact Us

**IQ HOME Kft.**

**Address: 1139 Budapest, Forgách utca 32. 5. ép. 3. em. 312., Hungary**

**Email: [info@iqhome.org](mailto:info@iqhome.org)**

**Website: [www.iqhome.org](http://www.iqhome.org)**