

Industrial Gateway Datasheet



Revision: 20.04
Date: 2020-04-18



Contents

1. Overview	3
2. Set up a Node-RED network to forward the sensor data	6
5. Display Web View	7
6. How to use	7
6.1. Contents	7
6.2. Table	8
7. Package	8
7.1. Heading	8
How to create document	8
Code highlight	8
Related products	8
References	9

1. Product models

Model ID	Product name	Industrial Extension Pack	E T H	P o H E	4G/ LTE	G P S
* GW-IND-01-LITE	Indoor Gateway with Ethernet connection		✓			
GW-IND-01-ETH	Industrial Gateway with Ethernet connection	✓	✓			
GW-IND-01-PoE	Industrial Gateway with POE Ethernet connection	✓	✓	✓		
GW-IND-01-4G	Industrial Gateway with Ethernet + 4G/LTE	✓	✓		✓	
** GW-IND-01-4GL	Industrial Gateway with Ethernet + 4G/LTE & GPS	✓	✓		✓	✓
** GW-IND-01-4GO	Industrial Gateway with 4G support only	✓			✓	
** GW-IND-01-4GLO	Industrial Gateway with 4G/LTE & GPS support only	✓			✓	✓

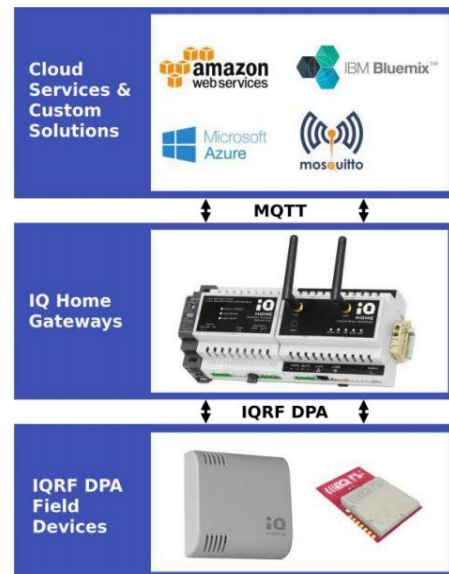
* Upcoming device, not released yet. ** Special order only.

1.1. Key features

- High reliability
- Extended temperature range
- Li-ion battery backup
- Redundant data storage
- Redundant network connections: Ethernet + Integrated 4G LTE

1.2. Ready for IQRF DPA messages

- Transparent IQRF DPA messages
- Compatible with all IQRF Alliance interoperable end devices



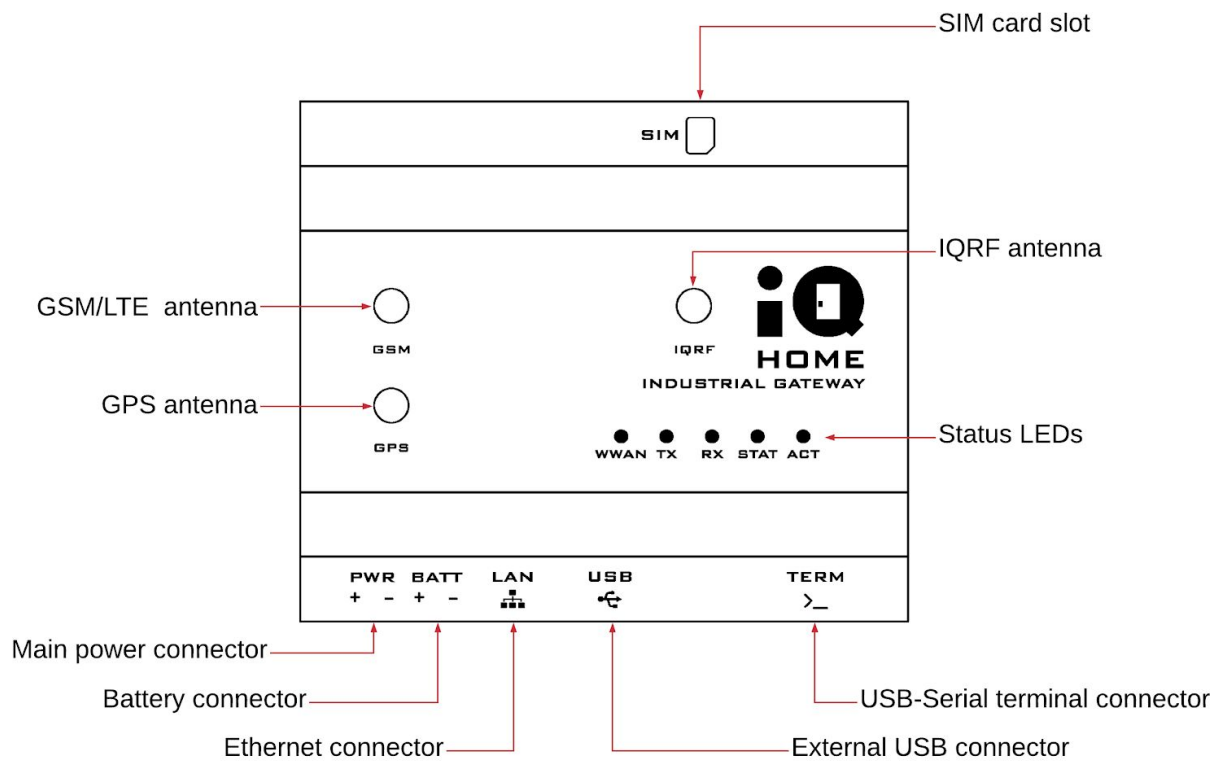
2. Specifications



RF Specification	GW-IND-01-ETH, GW-IND-01-POE	GW-IND-01-4G, GW-IND-01-4GL	GW-IND-01-4GO, GW-IND-01-4GLO
Communication technology	IQRF - DPA		
Communication module	DCTR-76DA		
IQRF-OS version	4.02D		
IQRF-DPA version	3.02		
Default IQRF channel	52 (868.35 MHz)		
RF mode	Low Power (STD on special request)		
RF band	868 MHz (916 MHz on special request)		
RF output power	10 mW		
Antenna	External	External	External
Local state feedback			
State feedback	Led (RX/TX)		
Gateway activity	LED (STAT/ACT)		
WWAN status	LED		
Environmental conditions			
Operation temperature	-20 °C to +70 °C		
Storage temperature	-20 °C to +70 °C		
Relative humidity	0 % to 85 %		
Electrical specification	GW-IND-01-ETH, GW-IND-01-POE	GW-IND-01-4G, GW-IND-01-4GL	GW-IND-01-4GO, GW-IND-01-4GLO
Input power supply / Input voltage	- DC 9V-16V (power supply not included) - Power over Ethernet (IEEE 802.3af		- DC 9V-16V (power supply not included)

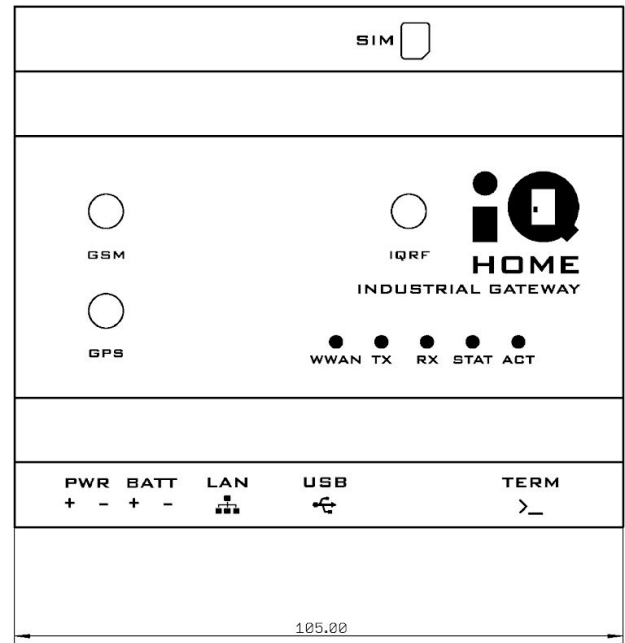
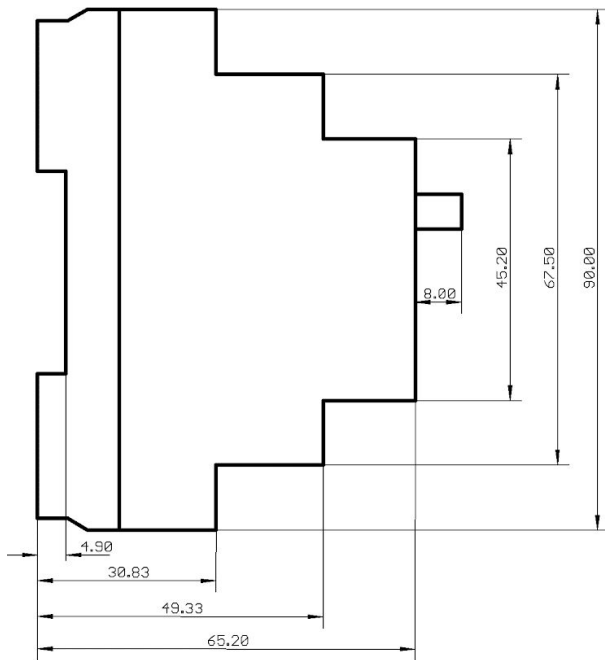
	class 0)		
Power consumption (typical)	2.5 W	2.5 W	1.5 W
Mechanical and enclosure specification	GW-IND-01-ETH , GW-IND-01-POE	GW-IND-01-4G , GW-IND-01-4GL	GW-IND-01-4GO , GW-IND-01-4GLO
Product dimension (outline)	107mm(W) x 63mm(D) x 32mm(H)		
Mount type	DIN Rail mountable		
Product weight	150 g	180 g	150 g
Enclosure colour	Gray		
Enclosure protection level	IP20		
Communication interfaces	GW-IND-01-ETH , GW-IND-01-POE	GW-IND-01-4G , GW-IND-01-4GL	GW-IND-01-4GO , GW-IND-01-4GLO
LAN	10/100Mbps	10/100Mbps	x
WWAN	x	<ul style="list-style-type: none"> - 2G/3G/4G/LTE Support - LTE FDD: B1/B3/B5/B7/B8/B20 - LTE TDD: B38/B40/B41 - WCDMA: B1/B5/B8 - GSM: B3/B8 	
SIM format	Mini SIM (2FF)		
USB	1 External and 1 Internal	1 External and 1 Internal	x

2.1. Device description

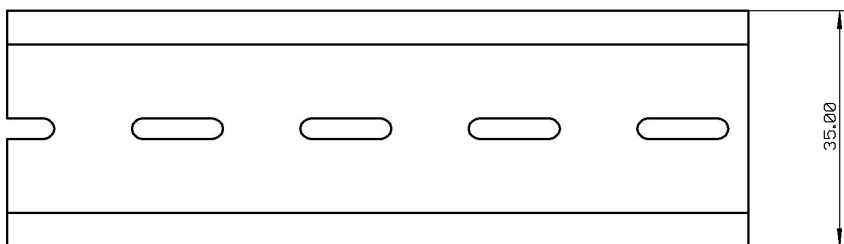


LED	Description
WWAN	Status of GSM/LTE communication interface
TX	IQRF TX - Blink if transmitting packet to IQRF network
RX	IQRF RX - Blink if receiving packet from IQRF network
STAT	Status of gateway service
ACT	Act of eMMC reading

3. Dimensions



(Unit: mm , tolerance $\pm 0.5\text{mm}$)



ADMISSIBLE DIN-RAIL: TS35/7.5 OR TS35/15

4. For your safety

To prevent damage to your product or injury to yourself or to others, read the following safety precautions before using this equipment. Keep these safety instructions where all those who use the product will read them.

4.1. WARNINGS

- **Turn off immediately in the event of malfunction**
Should you notice smoke or an unusual smell coming from the equipment, power off the equipment and remove the battery immediately, taking care to avoid burns. Continued operation could result in injury.
- **Do not use in the presence of flammable gas**
Do not use electronic equipment in the presence of flammable gas, as this could result in explosion or fire.
- **Keep out of reach of children**
Failure to observe this precaution could result in injury.
- **Use only with the additional battery extension pack**

4.2. Notices

- This manual included with the product may not be reproduced, translated to any language or used to any other purpose without IQ Home's written permission.
- IQ Home reserves the right to change specifications described in this manual at any time without prior notice.
- IQ Home will not be held liable for any damages resulted from the use of this product.
- We made as much effort as we could while prepared this manual to make it useful, accurate and complete. If we made mistakes, we appreciate if you contact us and let us know.

This symbol indicates that this product is to be collected separately.



This symbol on the battery indicates that the battery is to be collected separately.



- This product is designated for separate collection at an appropriate collection point. Do not dispose of as household waste.
- For more information, contact the retailer or the local authorities in charge of waste management.
- All batteries whether marked with this symbol or not, are designated for separate collection at an appropriate collection point.
- Do not dispose of as household waste. For more information, contact the retailer or the local authorities in charge of waste management.

5. Contact Us

IQ HOME Kft.

Address: 1139 Budapest, Forgách utca 32. 5. ép. 3. em. 312., Hungary

Email: info@iqhome.org

Website: www.iqhome.org